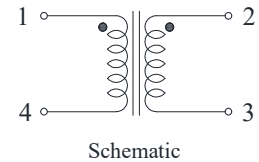
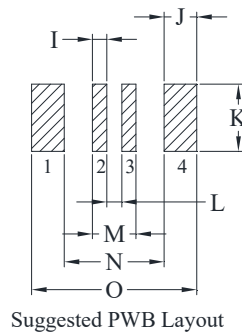
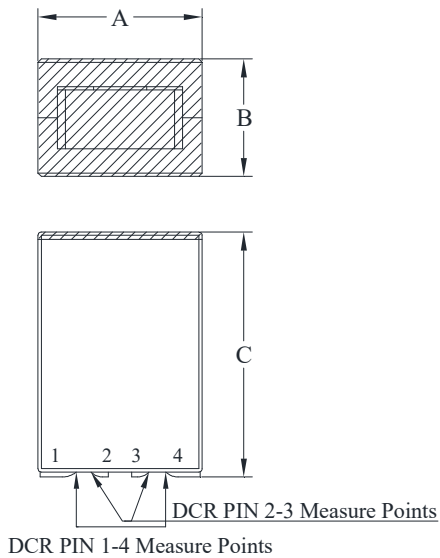


CYNTEC CO., LTD.

乾坤科技股份有限公司

DELTA P/N: TLM107515F Series

Mechanical Dimensions & Schematic



UNIT : mm
 A = 10.0 MAX
 B = 7.5 MAX
 C = 15.0 MAX
 D = 0.35
 E = 1.25
 F = 3.5
 G = 1.4
 H = 6.95
 I = 0.85
 J = 1.95
 K = 4.0
 L = 0.9
 M = 2.6
 N = 6.0
 O = 9.9



Electrical Characteristics @ 25°C, 100kHz, 1V

Delta P/N	L (nH) ± 15%	Li (nH) MIN	DCR (mΩ) ± 10%		Isat ¹ (A)			Ir ² (A)	
			1-4	2-3	25°C	100°C	125°C	1-4	2-3
TLM107515F-900	90	63	0.136	0.5	160	136	128	73	35
TLM107515F-101	100	70			145	123	116		
TLM107515F-121	120	84			120	102	96		
TLM107515F-151	150	105			95	81	76		
TLM107515F-171	170	119			83	71	66		

1. Isat is the DC current which causes the inductance drop to Li.
2. Ir is the DC current which causes the surface temperature of the part increase approximately 40 °C.
3. Operating temperature: -40°C to 125°C (Self-temperature rise included).